



Features

- 2.54 mm pitch & height
- 2 to 6 precious metal contacts
- End-to-end stackable
- Twin hot contacts (symmetrical pad layout)
- Pick & place compatible

- High cycle life
- RoHS compliant*

70AA/Male - Modular Contact

Materials & Finishes

InsulatorGlass reinforced thermoplastic, UL 94V-0 rated, black
 ContactCopper alloy Finish
 Underplating30 μ" - 60 μ" nickel
 Contact Area.....30 μ" Au over nickel

Operating Characteristics

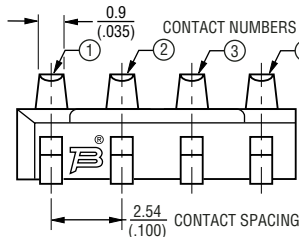
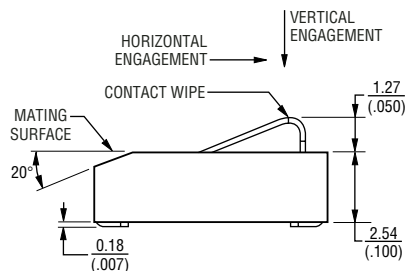
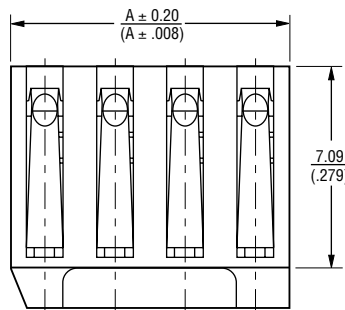
Electrical
 Current Rating3 A/contact
 Voltage Rating.....60 V
 Contact Resistance......25 mΩ max.
 Dielectric Voltage.....AC 500 V
 Insulating Resistance.....1000 MΩ min.
 Operating Temperature...-55 °C to 125 °C
 Mechanical
 Vibration30 G, 10-2K Hz, 0.06 inches D.A.
 Shock100 G
 Normal Force80 grams min. at a working height of 0.25 mm (0.010 inches)
 Durability10,000 cycles min.

How to Order

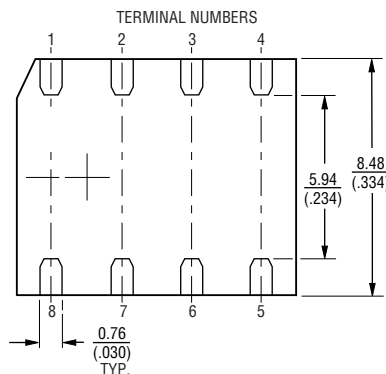
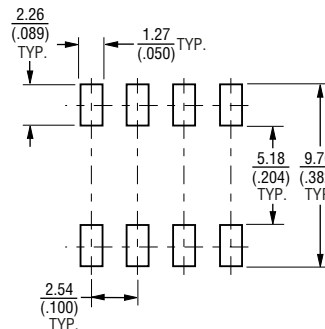
70AA J - 4 - M 0 G

Model _____
 Terminal Style _____
 J = SMT
 Number of Contacts (N) _____
 2 through 6
 Gender _____
 M = Male
 Type _____
 0 = Standard
 Packaging Option _____
 _ = Tube
 G = Embossed Tape (750 pcs. per reel)

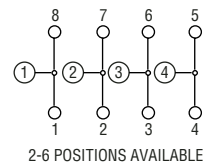
Product Dimensions



Recommended PWB Layout



Electrical Schematic



Number of Contacts	Dimension A
2	$\frac{5.00}{(.197)}$
3	$\frac{7.54}{(.297)}$
4	$\frac{10.20}{(.397)}$
5	$\frac{12.62}{(.497)}$
6	$\frac{15.16}{(.597)}$

TOLERANCES: $\pm \frac{0.30}{(.012)}$ UNLESS OTHERWISE STATED

DIMENSIONS ARE: $\frac{MM}{(INCHES)}$

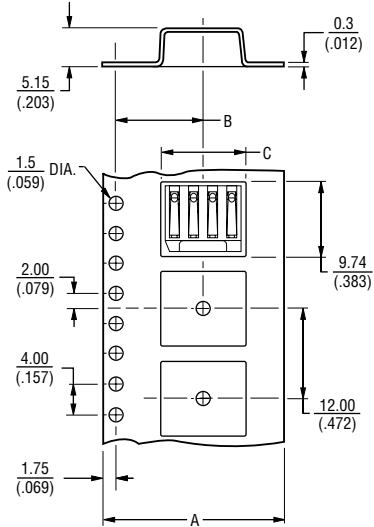
*RoHS Directive 2002/95/EC Jan 27 2003 including Annex. Specifications are subject to change without notice. Customers should verify actual device performance in their specific applications.

70AA/Male - Modular Contact

BOURNS®

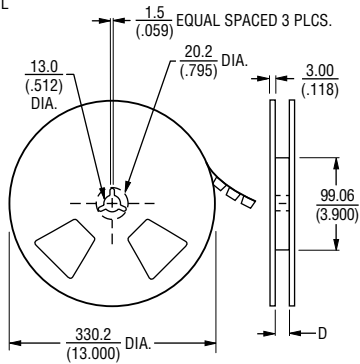
Packaging Specifications

TAPE



No. of Contacts	Dimension A	Dimension B	Dimension C	Dimension D
2	16.0 (.630)	7.5 (.296)	5.64 (.222)	16.4 (.646)
3	16.0 (.630)	7.5 (.296)	8.19 (.323)	16.4 (.646)
4	24.0 (.945)	11.5 (.453)	10.4 (.409)	24.4 (.961)
5	24.0 (.945)	11.5 (.453)	12.95 (.510)	24.4 (.961)
6	24.0 (.945)	11.5 (.453)	15.5 (.610)	24.4 (.961)

REEL



REV. 01/06

Specifications are subject to change without notice.
Customers should verify actual device performance in their specific applications.